

DH-PFA126

Junction Box



- Aluminum alloy material.
- IP66 rated.
- Quick-to-install and anti-dropping structure for safety and convenience.



Scene

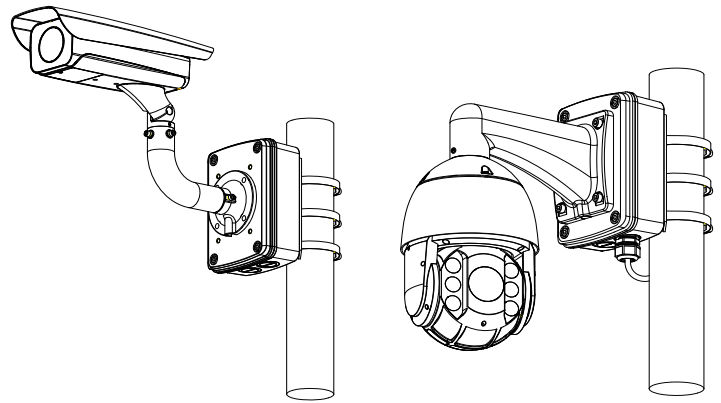
Suitable for camera mounting with operating temperature from -40°C to $+60^{\circ}\text{C}$ (-40°F to $+140^{\circ}\text{F}$) and relative humidity less than 90%.

Technical Specification

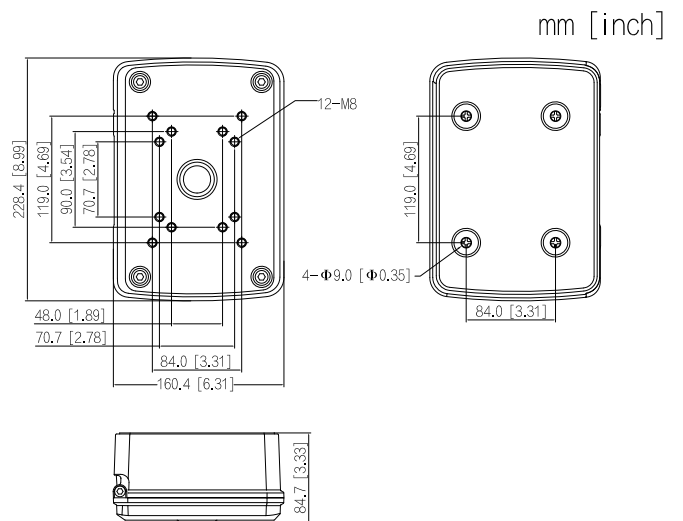
Performance

Model	DH-PFA126
Material	Aluminum alloy
Dimensions	228.4 mm × 160.4 mm × 84.7 mm (8.99" × 6.31" × 3.33") (L × W × H)
Weight	1.56 kg (3.44 lb)
Load bearing	8.0 kg (17.64 lb)
Operating Temperature	-40°C to $+60^{\circ}\text{C}$ (-40°F to $+140^{\circ}\text{F}$)
Operating Humidity	<90% (RH)
Color	White
Applicable Camera	Please see "Accessory Selection"

Installation



Dimensions (mm[inch])



Ordering Information

Type	Model	Description
Camera Mount	DH-PFA126	Junction Box
	PFA126	Junction Box