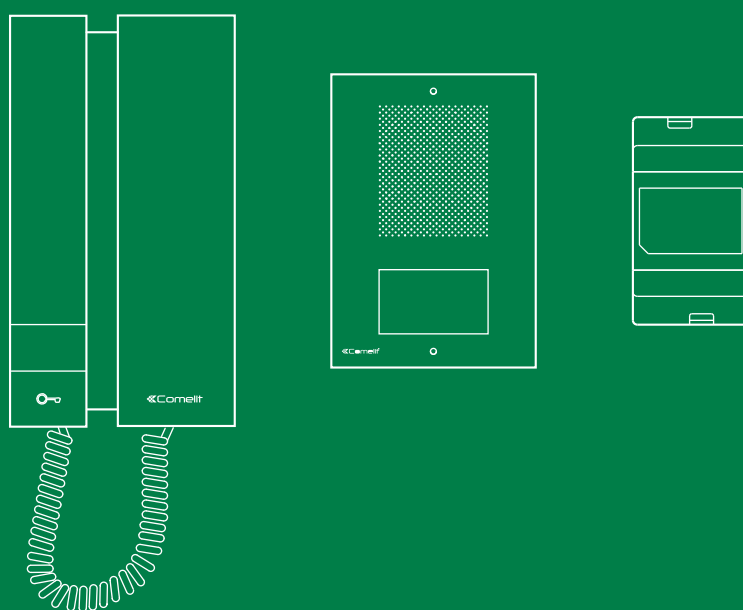


EN

TECHNICAL
MANUAL



Technical manual for single-family Kit
Art. KAE5061

 **Comelit**[®]
Passion. Technology. Design.

Warning

Intended use

This Comelit product was designed for use in the creation of audio and video communication systems in residential, commercial or industrial settings and in public buildings or buildings used by the public.

Installation

All activities connected to the installation of Comelit products must be carried out by qualified technical personnel, with careful observation of the indications provided in the Manuals / Instruction sheets supplied with those products.

Wires

Cut off the power supply before carrying out any maintenance procedures.

Use wires with a cross-section suited to the distances involved, observing the instructions provided in the system manual.

We advise against running the system wires through the same duct as the power cables (230V or higher).

Safe usage

To ensure Comelit products are used safely:

- carefully observe the indications provided in the Manuals / Instruction sheets
- make sure the system created using Comelit products has not been tampered with / damaged.

Maintenance

Comelit products do not require maintenance aside from routine cleaning, which should be carried out in accordance with the indications provided in the Manuals / Instruction sheets.

Any repair work must be carried out

- for the products themselves, exclusively by **Comelit Group S.p.A.**,
- for systems, by qualified technical personnel.

Disclaimer

Comelit Group S.p.A. does not assume any responsibility for

- any usage other than the intended use
- non-observance of the indications and warnings contained in this Manual / Instruction sheet.

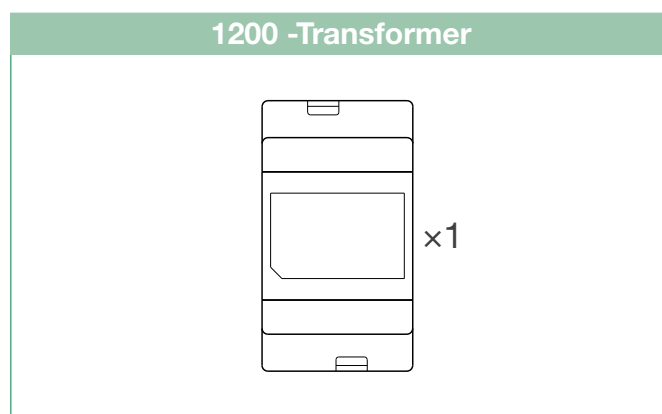
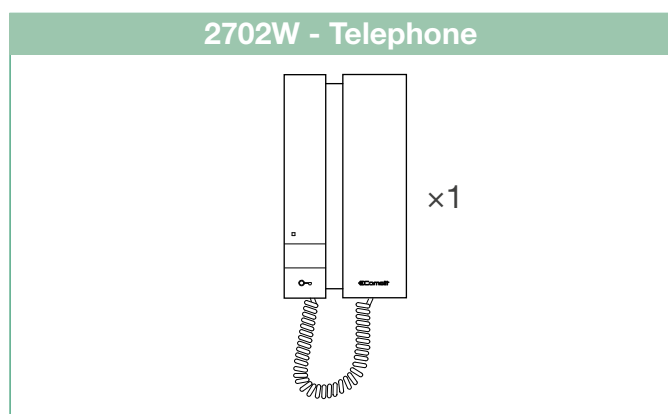
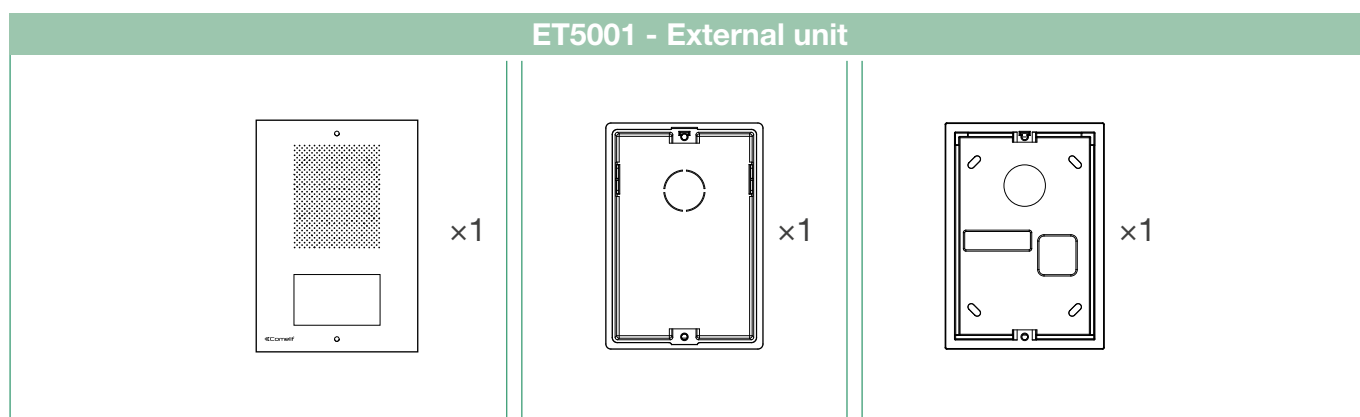
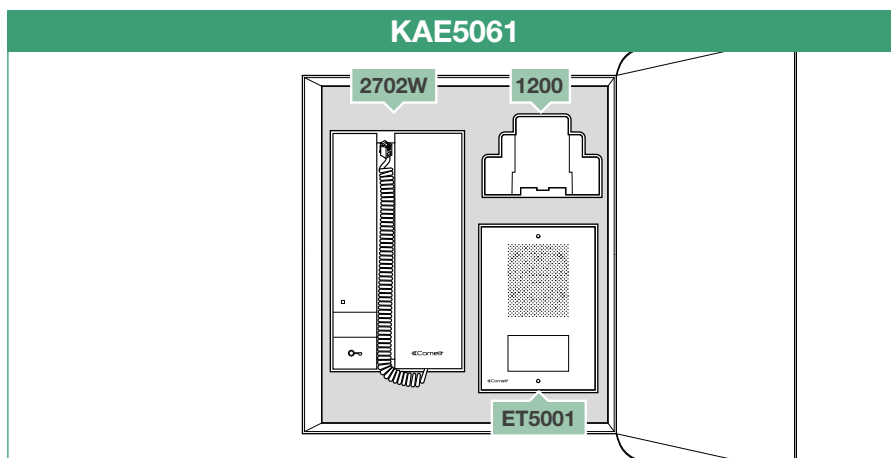
Comelit Group S.p.A. nonetheless reserves the right to change the information provided in this Manual / Instruction sheet at any time and without prior notice.

Table of contents

Warning	2
Package Contents	3
Transformer Art. 1200	4
Description	4
External unit Art. ET5001	5
Description	5
Art. ET5001 technical specifications	6
Installation	7
Replacing the nameplate holders	7
Door-entry phone art. 2702W	8
Description	8
Art. 2702W technical specifications	9
Installation	10
Operating distances and standard diagram	11
Wiring diagram for standard system and 1 additional door-entry phone connection variant.....	11
Operating distances.....	11

Package Contents

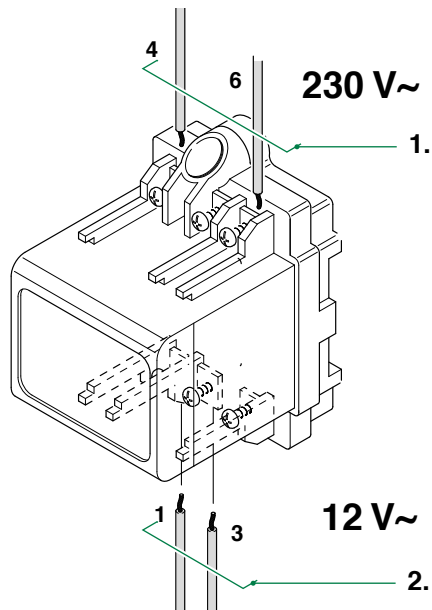
This manual includes information regarding system configuration and customisation which may be perceived as necessary by the installer.



Transformer Art. 1200

Description

Transformer with 230V primary, 12V AC / 15 VA secondary winding for continuous use. Dimensions: 53x95x65 mm (3 DIN modules).



1. 230 V digital input.
2. Secondary 12 V AC output.



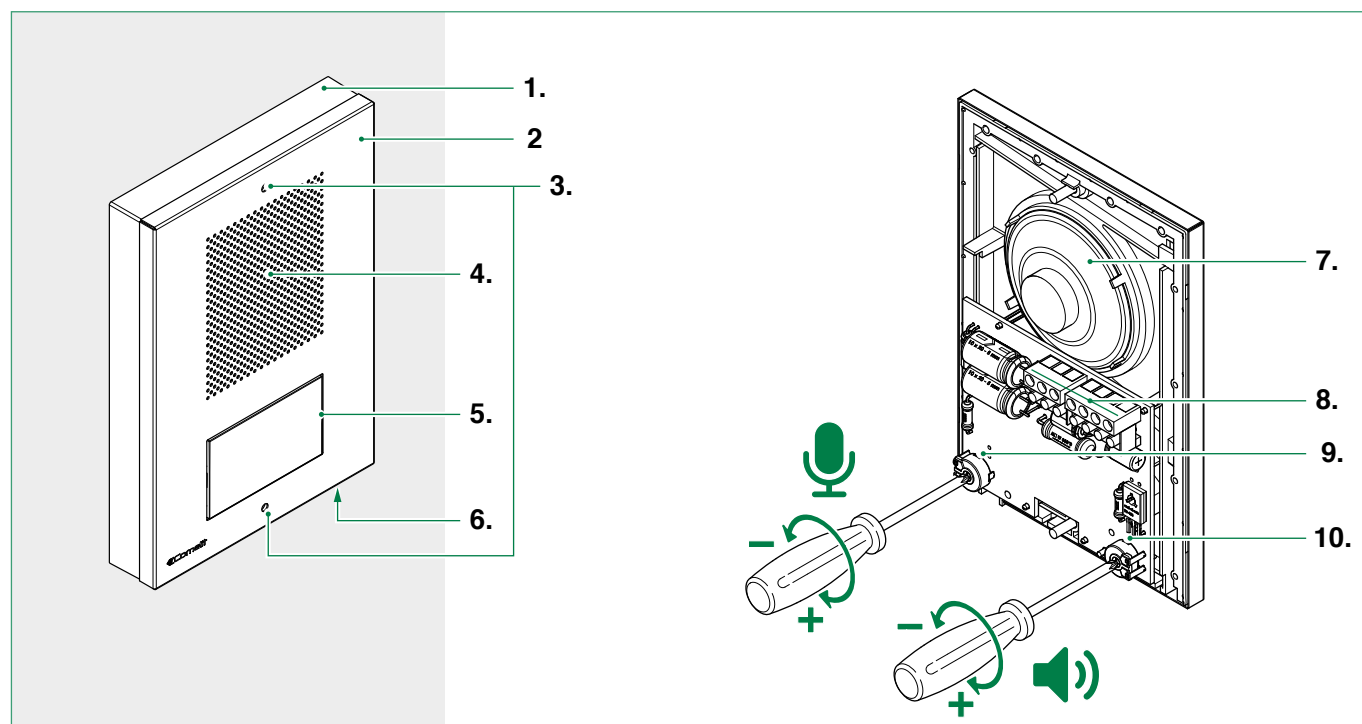
Disconnect the power supply before carrying out any maintenance procedures.
The electrical system of the building must be fitted with an omnipolar mains switch with a contact opening of at least 3 mm, which is capable of isolating the power supply of the device.
Place the protection back over the terminals and close the inspection door after every procedure.

External unit Art. ET5001

Description

External unit complete with 1 call button, 1 wall bracket and 1 flush-mounted box.

Dimensions 95×135×26.5 mm (including wall bracket).



1. Surface-mounted wall bracket Art. ET9160. A flush-mounted box Art. ET9150 is also available.

2. Stainless steel front faceplate.

3. Faceplate fixing screw holes.

4. Speaker.

5. Call button.

6. Microphone.

7. Speaker.

8. Terminal block for connection:

S1 Electronic call signal output

4 Negative

3 Loudspeaker input

2 Microphone output

~ ~ * 12V AC power supply terminals

9. **TM2** Microphone volume adjustment trimmer.

10. **TM1** Loudspeaker volume adjustment trimmer.

Art. ET5001 technical specifications

MAIN FEATURES

Type	Monoblock
Audio system	Yes
Flush-mounted	Yes
Wall-mounted	Yes
Power supply	12 VDC
Maximum current absorption (mA)	267
Clamps	~*~ 2 3 4 S1 S2
Buttons to call	Yes
Total buttons	1
Microphone volume control	Yes
Loudspeaker volume control	Yes
Operating temperature (°C)	-25 ÷ 55
Backlighting colour	Led blu

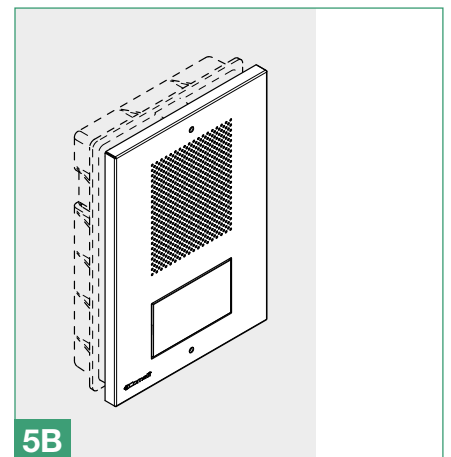
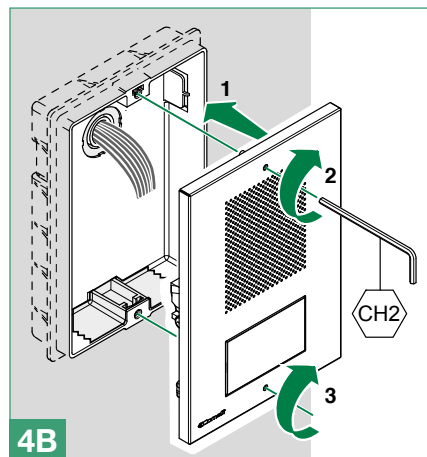
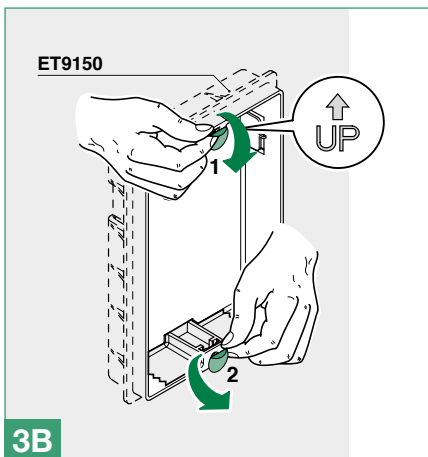
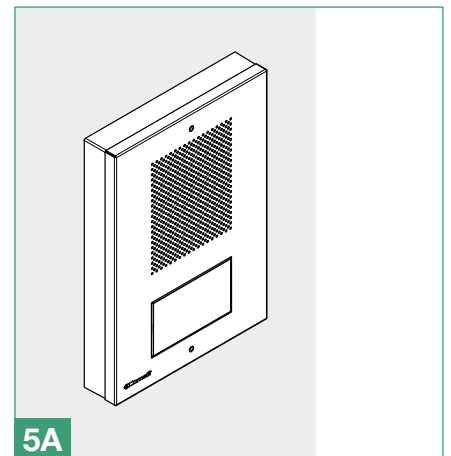
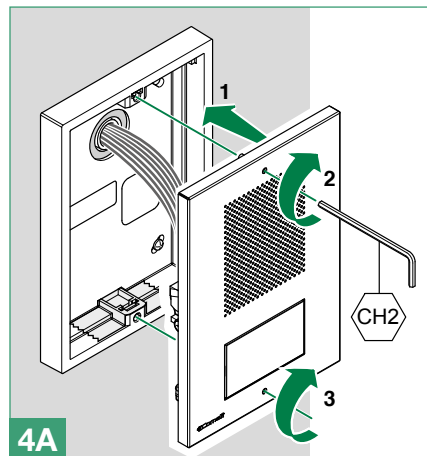
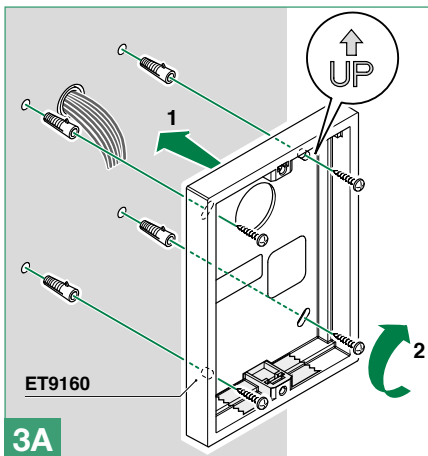
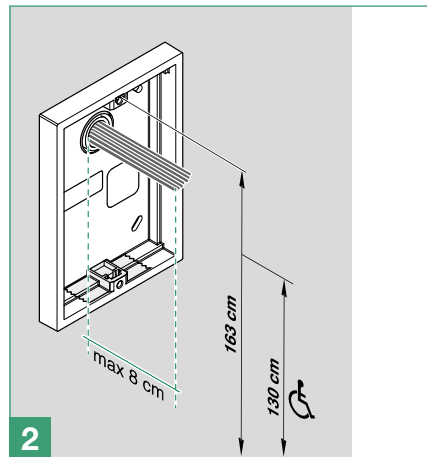
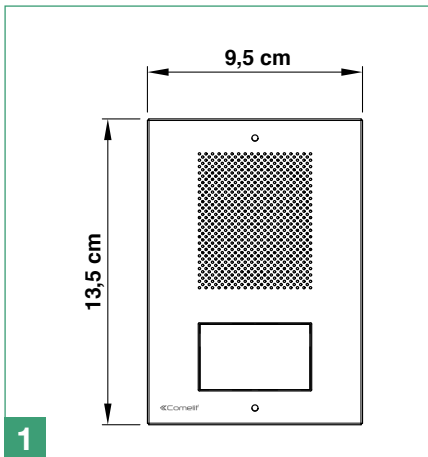
FUNCTIONS

Key button function	Yes
----------------------------	-----

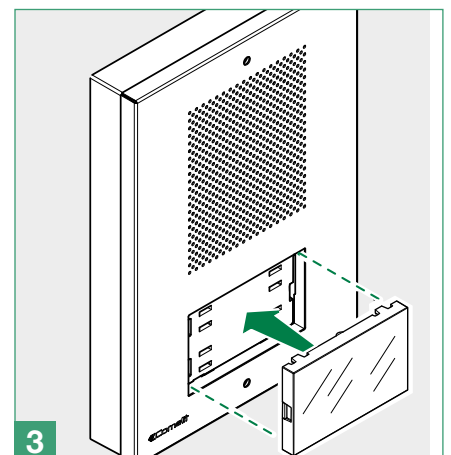
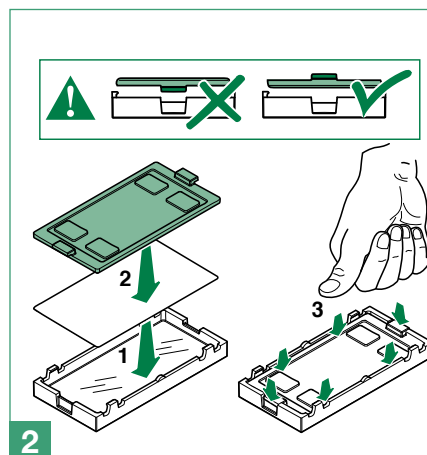
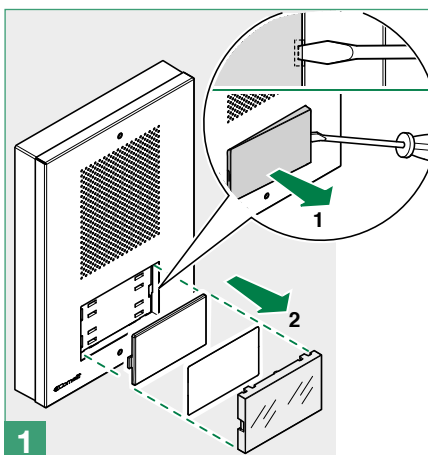
COMPATIBILITY

Traditional system	Yes
---------------------------	-----

Installation



Replacing the nameplate holders

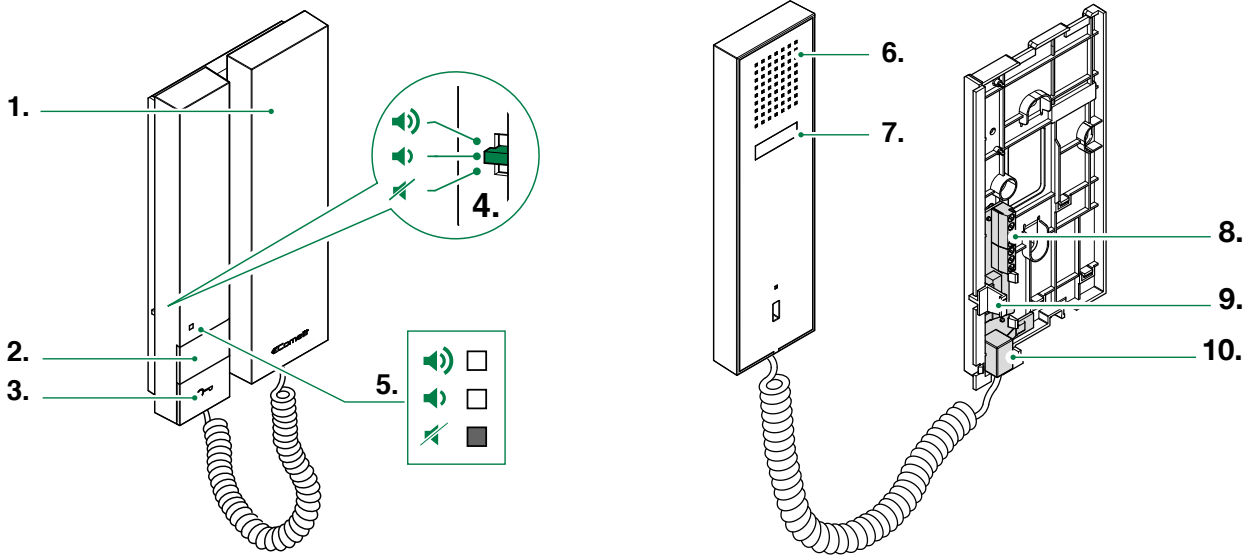


Door-entry phone art. 2702W


Description

MINI series door-entry phone for traditional systems, with electronic call, handset, key button and supplementary button for additional services. Call volume and privacy mode can be set via a 3 position selector switch; activation of privacy mode is signalled by a red indicator.

Dimensions: 105 x 190 x 28 mm



- 1. Handset
- 2. Button **P1** for additional services
- 3. Key button
- 4. 3-position ringtone / Privacy selector:
 - High position:* Maximum ringtone volume
 - Middle position:* Medium ringtone volume
 - Low position:* Privacy activation (Privacy service means exclusion of the call ringtone from the external unit and switchboard)
- 5. Red indicator signaling: Privacy service active

- 6. Loudspeaker
- 7. Audio hook
-  **Do not press and hold the audio hook while the handset is lifted**
- 8. Terminal block:
 - P2C2** Free Pushbutton C-NO
 - P1** Key button
 - 4** Negative
 - 3** Microphone output
 - 2** Loudspeaker input
 - S** Electronic call signal input
- 9. Bell / Privacy selector
- 10. Handset connector

Art. 2702W technical specifications

MAIN FEATURES

Audio system	Yes
Wall-mounted	Yes
Desk base-mounted	Yes
Colour	White
Total buttons	2

FUNCTIONS

Actuator control function	Yes
Privacy function	Yes
Electronic bell	Yes
Key button function	Yes

SETTINGS

Loudspeaker volume control	Yes
Microphone volume control	Yes
Ringtone volume control	Yes

GENERAL DATA

Height (mm)	190
Width (mm)	103
Depth (mm)	30

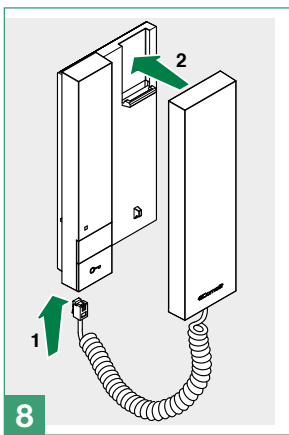
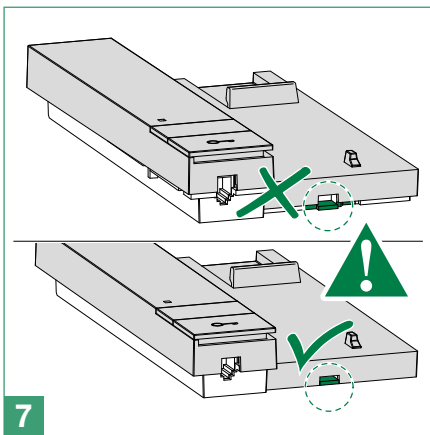
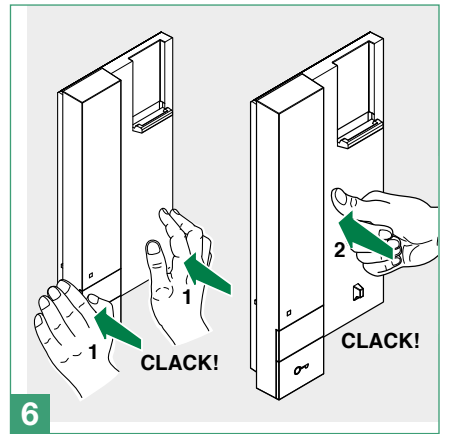
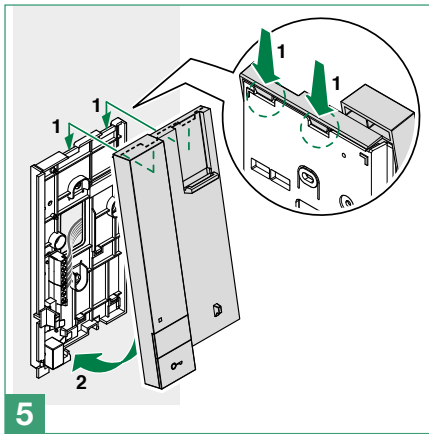
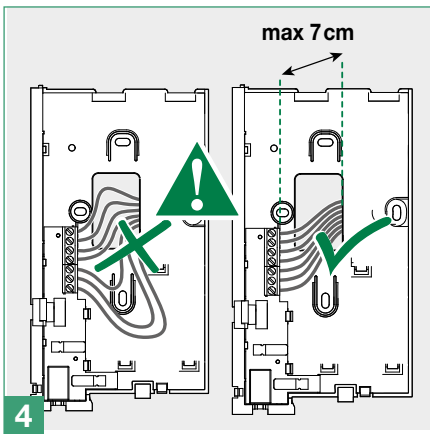
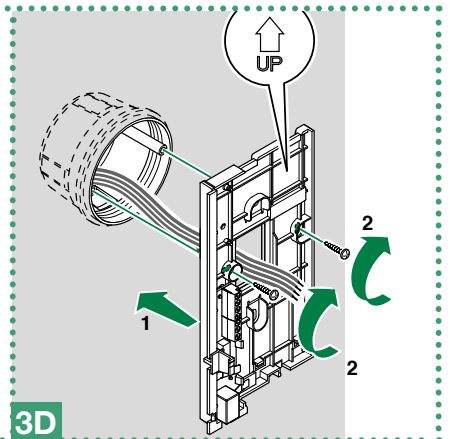
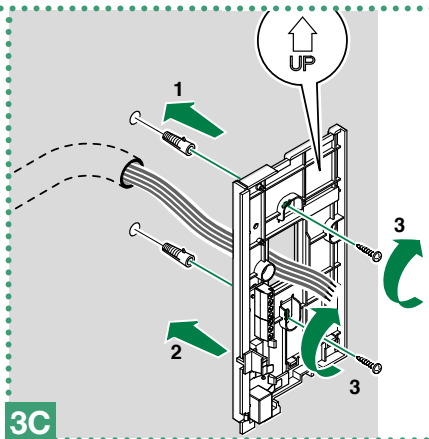
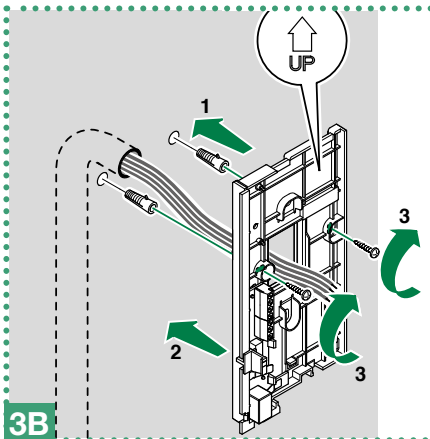
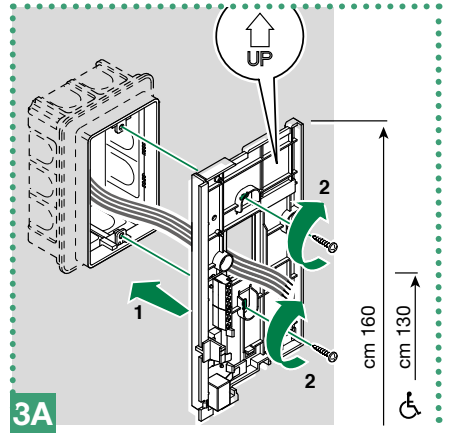
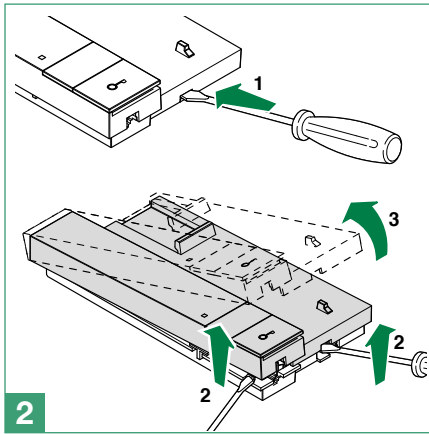
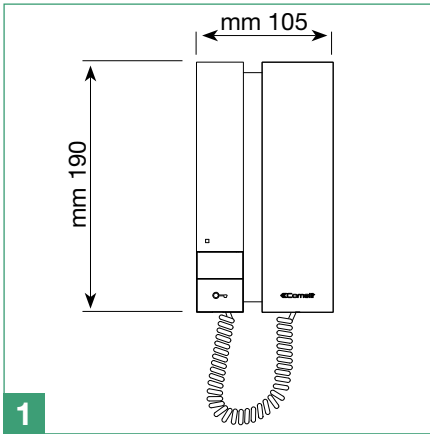
COMPATIBILITY

Traditional system	Yes
---------------------------	-----

TECHNICAL CHARACTERISTICS

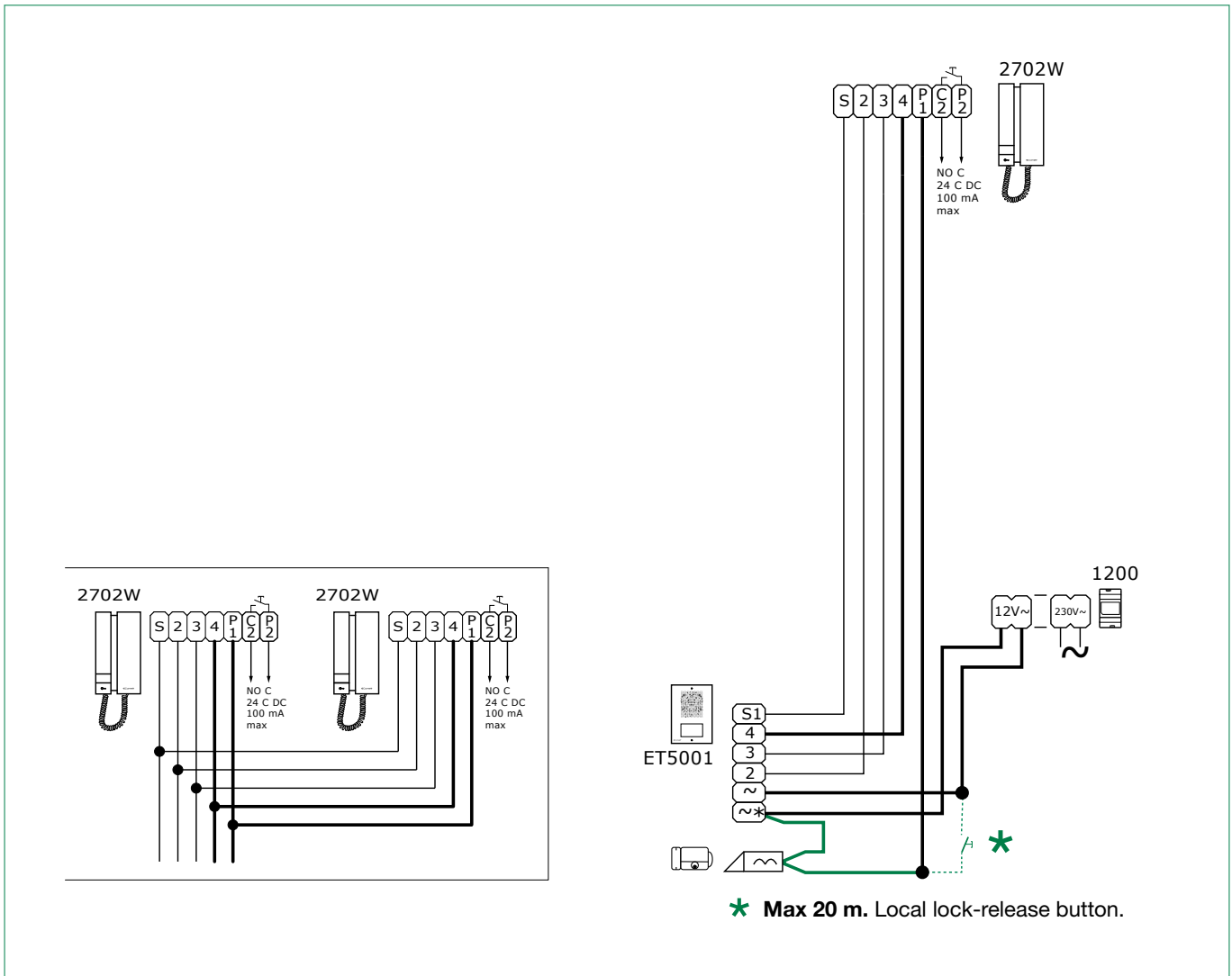
Power supply voltage (VDC)	15 ÷ 16
Absorption in stand-by (mA)	0,25
Absorption during call (mA)	0,42
Absorption during communication (mA)	0,35
Microphone	4mm, omnidirectional
Operating temperature (°C)	-5 ÷ 40
Weight (g)	260
Clamps	S 2 3 4 P1 P2

Installation



Operating distances and standard diagram

Wiring diagram for standard system and 1 additional door-entry phone connection variant



Operating distances

1 mm ²	1,5 mm ²	1,5 mm ²
200 m	200 m	80 m
0,8 mm ²	1 mm ²	1 mm ²
150 m	150 m	30 m
0,5 mm ²	0,8 mm ²	0,8 mm ²
50 m	50 m	10 m

CERTIFIED MANAGEMENT SYSTEMS



www.comelitgroup.com

Via Don Arrigoni, 5 - 24020 Rovetta (BG) - Italy

