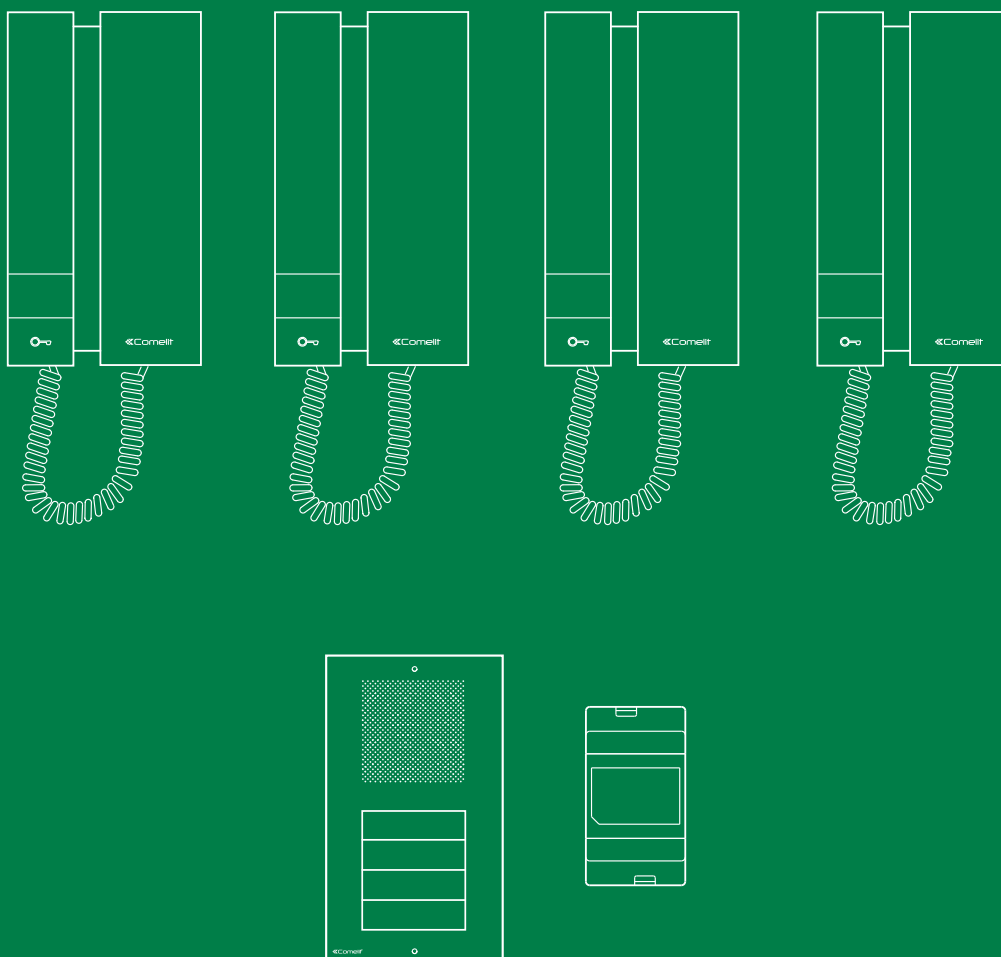


EN

TECHNICAL
MANUAL



Four-family kit
KAE5064

 **Comelit**[®]
Passion. Technology. Design.

Warning

Intended use

This Comelit product was designed for use in the creation of audio and video communication systems in residential, commercial or industrial settings and in public buildings or buildings used by the public.

Installation

All activities connected to the installation of Comelit products must be carried out by qualified technical personnel, with careful observation of the indications in this manual.

Wires

Disconnect the power supply before carrying out any operations on the wiring.

Use wires with a cross-section suited to the distances involved, observing the instructions provided in the system manual.

We advise against running the system wires through the same duct as the power cables (230V or higher).

Safe usage

To ensure Comelit products are used safely:

- carefully observe the indications provided in the manual.
- make sure the system created using Comelit products has not been tampered with / damaged.

Maintenance

Comelit products do not require maintenance aside from routine cleaning, which should be carried out in accordance with the indications provided in the manual.

Any repair work must be carried out

- for the products themselves, exclusively by **Comelit Group S.p.A.**,
- for systems, by qualified technical personnel.

Disclaimer

Comelit Group S.p.A. does not assume any responsibility for

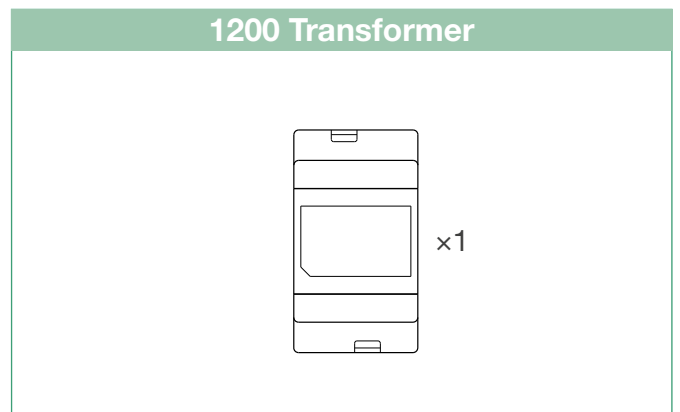
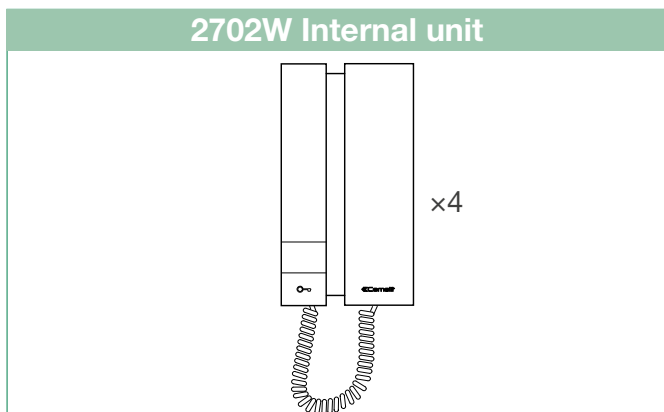
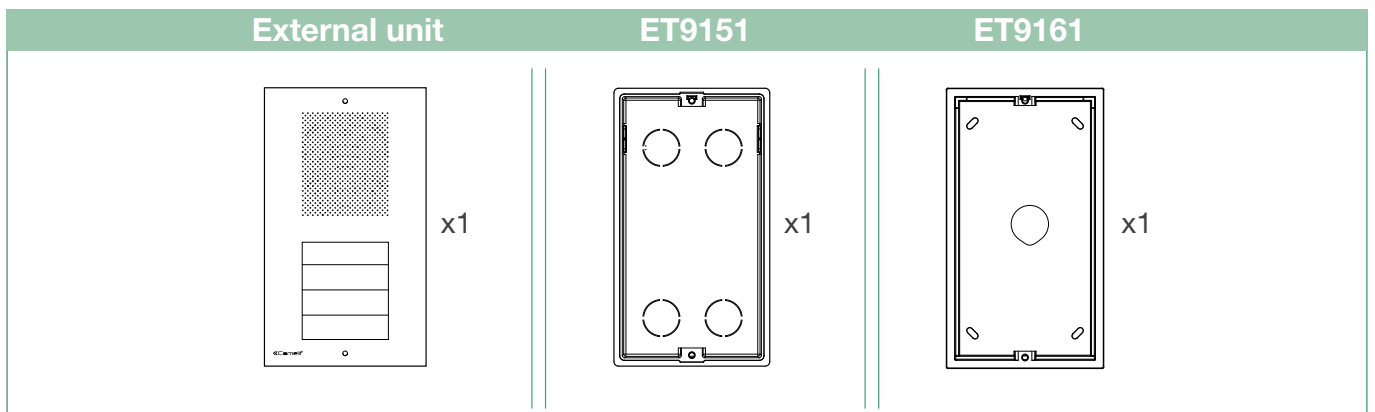
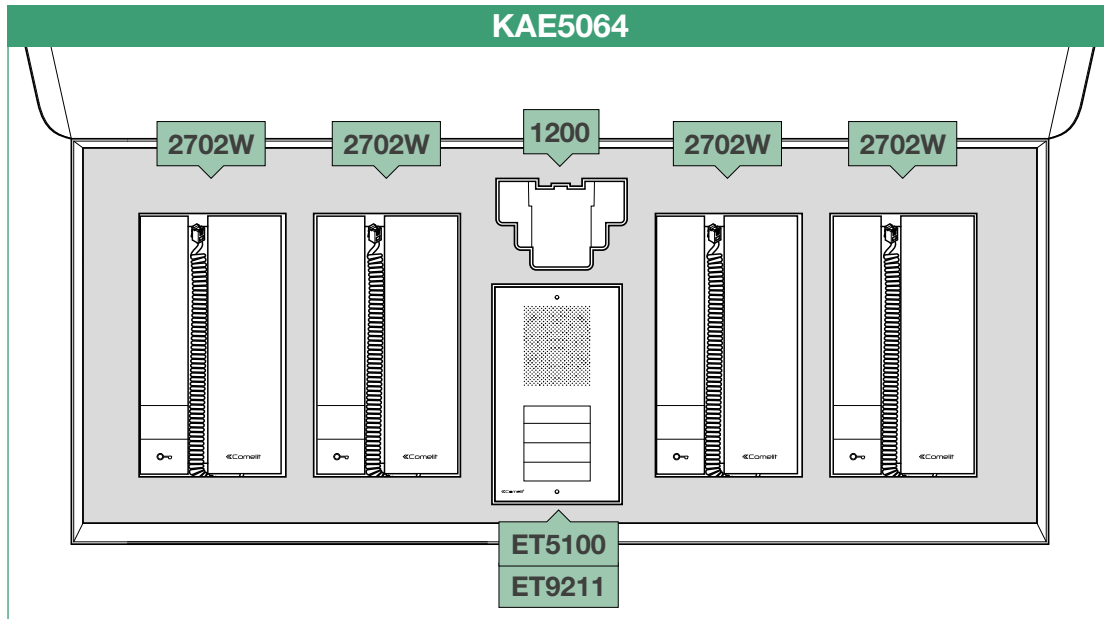
- any usage other than the intended use
- non-observance of the indications and warnings contained in this manual.

Comelit Group S.p.A. nonetheless reserves the right to change the information provided in this manual at any time and without prior notice

Table of contents

Package contents	3	Operating distances	9
Transformer	4	Wiring diagrams	9
Description	4	Standard system and 1 additional door-entry phone connection	
External unit	5	variant	9
Description	5	System expansion: additional external unit and internal unit	10
Installation	6		
Inserting nameplates	6		
Internal units	7		
Description	7		
Installation	8		

Package contents

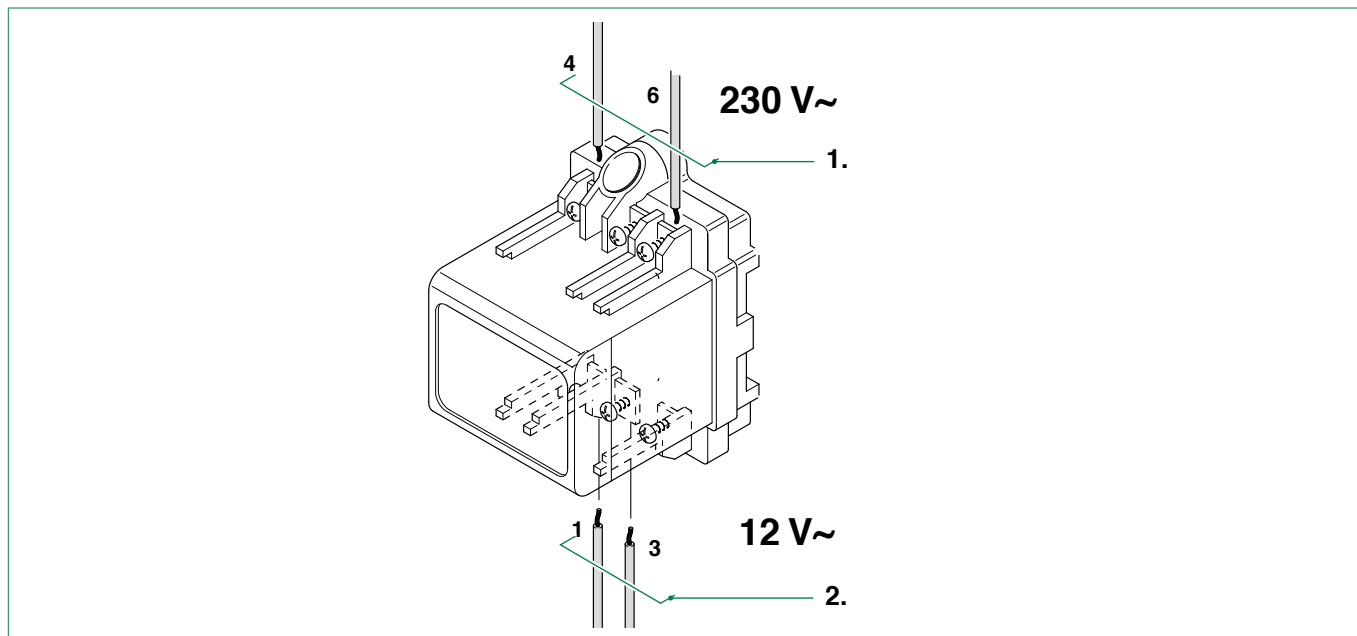


Transformer

Description

Transformer art. 1200 with 230V primary, 12V AC / 15 VA secondary winding for continuous use.

Dimensions: 53x95x65 mm (3 DIN modules).



- 1. 230 V digital input
- 2. Secondary 12 V AC output



Disconnect the power supply before carrying out any maintenance procedures.

The electrical system of the building must be fitted with an omnipolar mains switch with a contact opening of at least 3 mm, which is capable of isolating the power supply of the device.

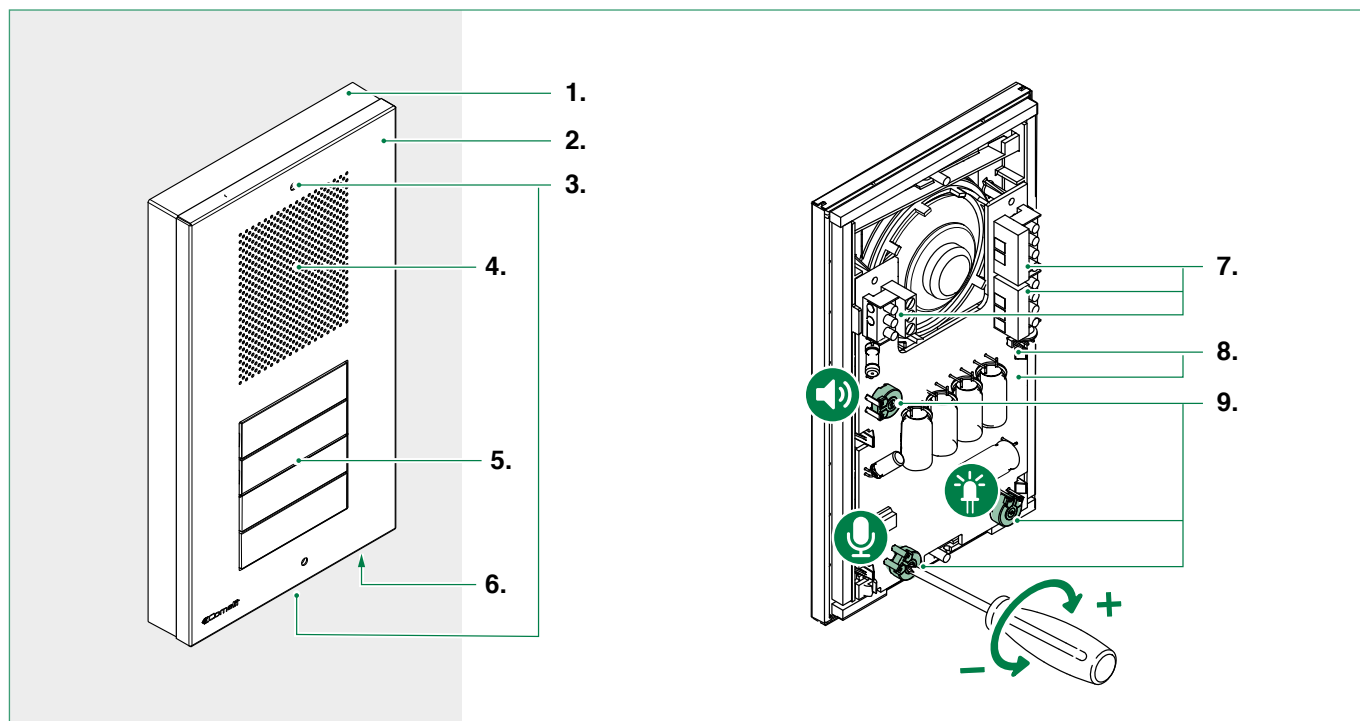
Place the protection back over the terminals and close the inspection door after every procedure.

External unit

Description

ET5100 External unit with 4 call buttons (ET9211), ET9161 wall bracket and ET9151 flush-mounted box.

Dimensions 95×165×26,5 mm



1. Surface-mounted wall bracket

2. Stainless steel front faceplate

3. Faceplate fixing screw holes

4. Speaker

5. Call buttons

6. Microphone

7. Terminals

S2 S1 S3 S4 Electronic call signal outputs

4 Negative

S Ringtone output

(To be used in the case of addition of a second external unit to the basic kit)

COM Pushbuttons common contact

(To be used in the case of addition of a second external unit to the basic kit)

3 Loudspeaker input

2 Microphone output

~ ~* 12V AC power supply terminals

8. **JP1 JP2** (A) Setting for 4 pushbuttons

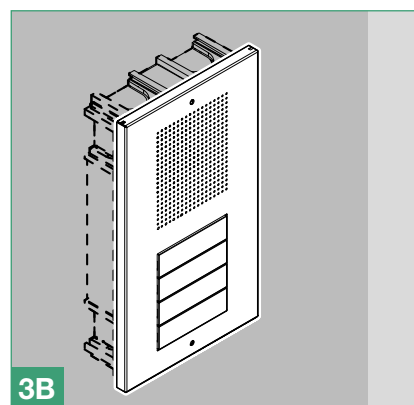
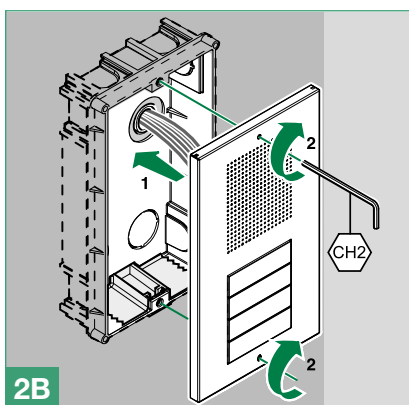
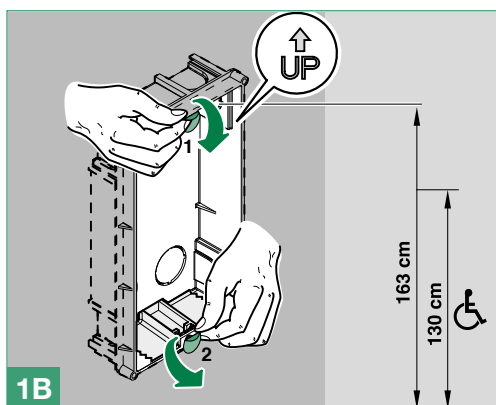
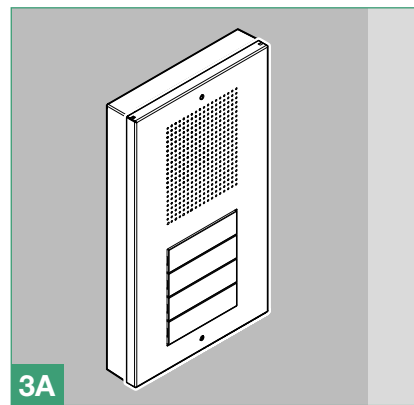
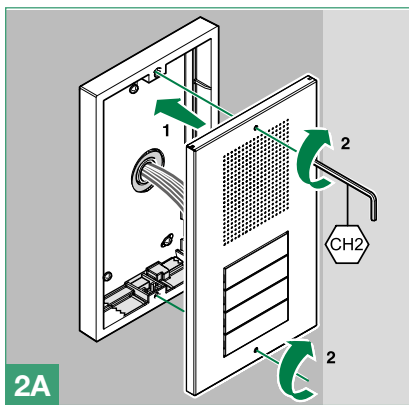
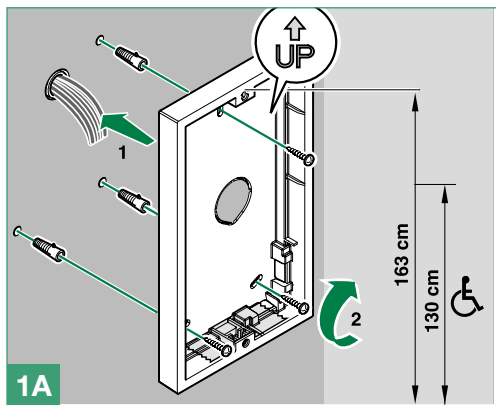
9. **TM1 TM2 TM3** Adjustment trimmer

Loudspeaker volume

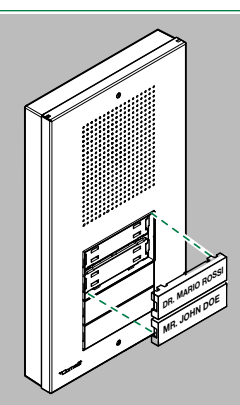
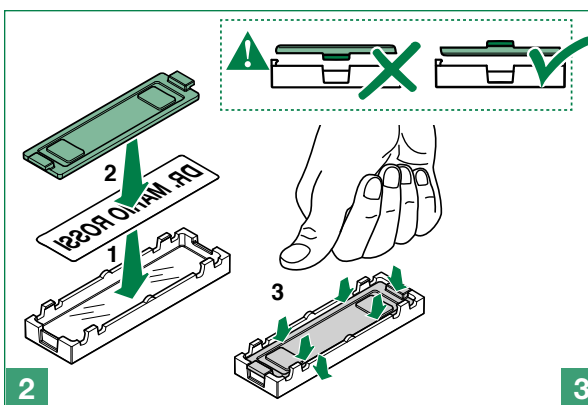
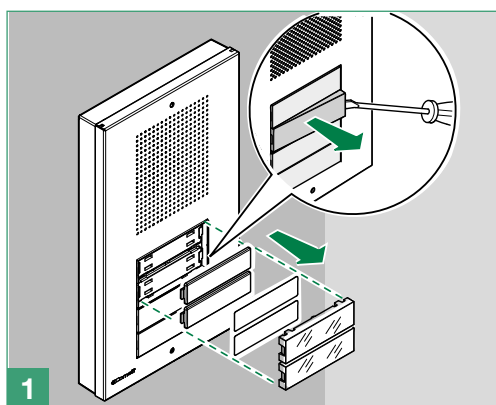
Microphone volume

LED brightness

Installation



Inserting nameplates

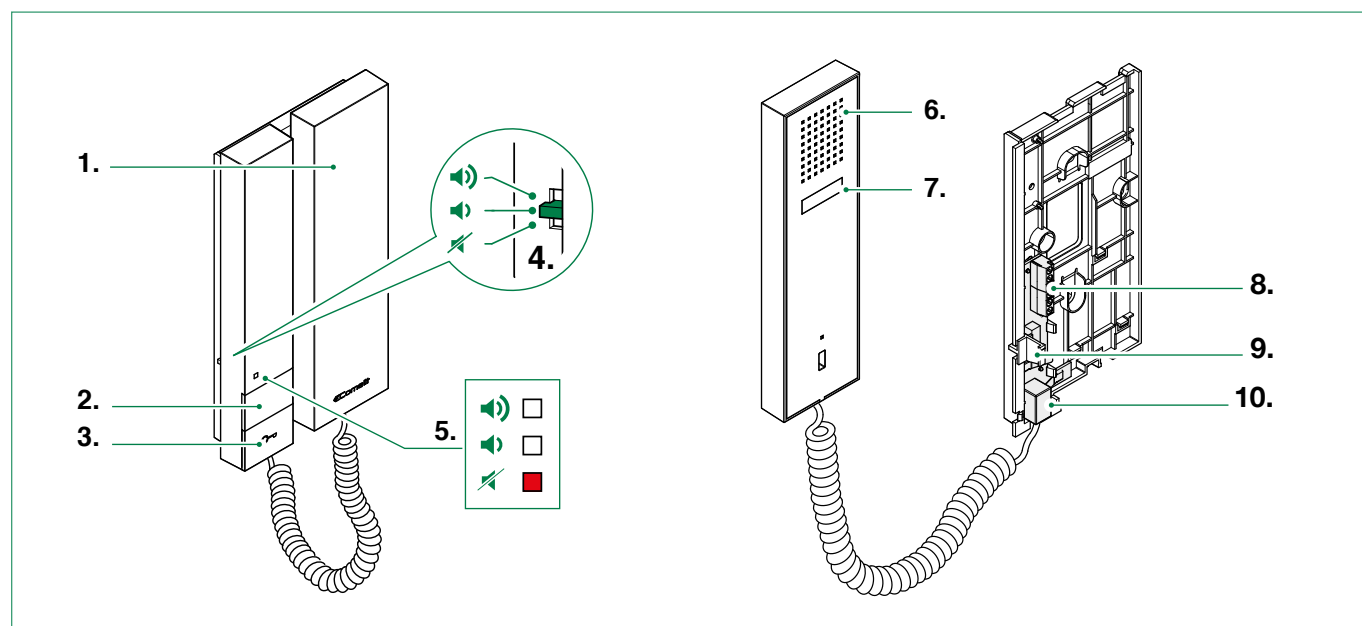


Internal units

Description

Audio internal unit complete with 1 key button and supplementary button for additional services.

Dimensions 105×190×28 mm.



1. Handset

2. Button for additional services

3. Lock-release button

4. 3-position ringtone volume

High position: Maximum ringtone volume

Middle position: Medium ringtone volume

Low position: Privacy mode activation

i Privacy mode means exclusion of the call ringtone from the external unit and switchboard

5. Red indicator signaling: Privacy mode active

6. Loudspeaker

7. Audio hook

! Do not press and hold the audio hook while the handset is lifted

8. Terminal block:

P2 C2 pushbutton C. NO. 24V 100mA dedicated to various services

P1 Lock-release button

4 Negative

3 Microphone output

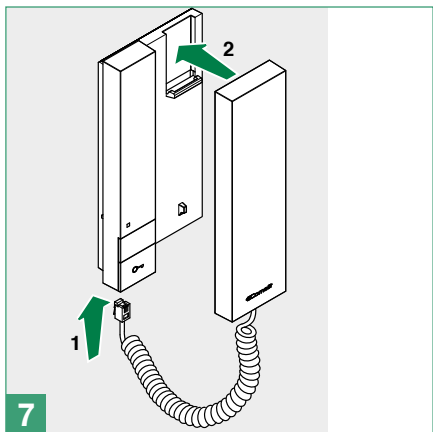
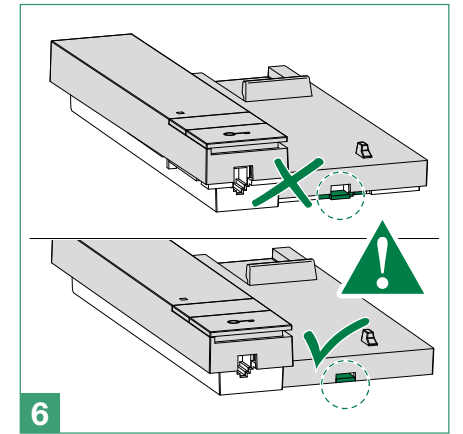
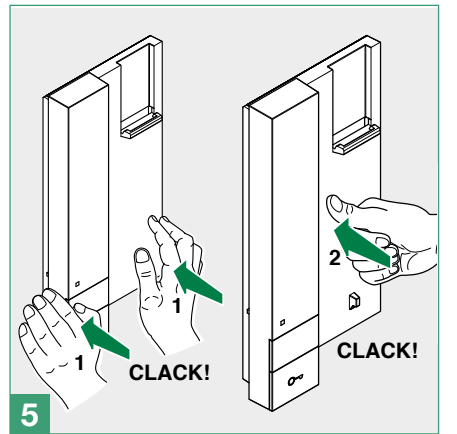
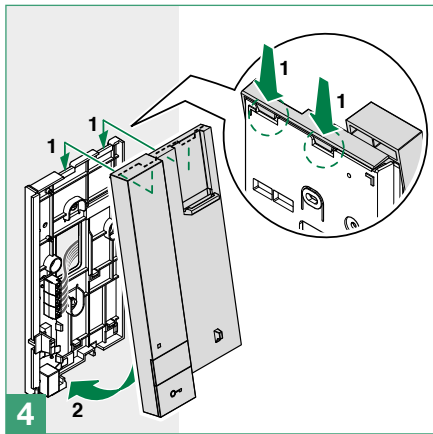
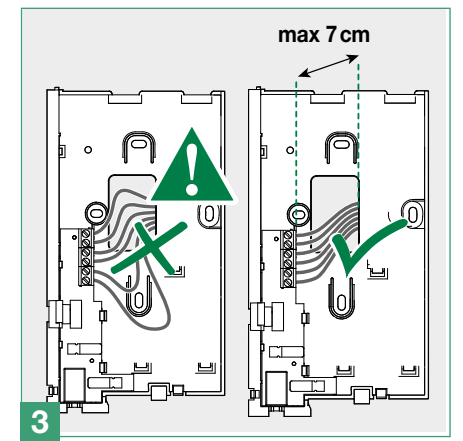
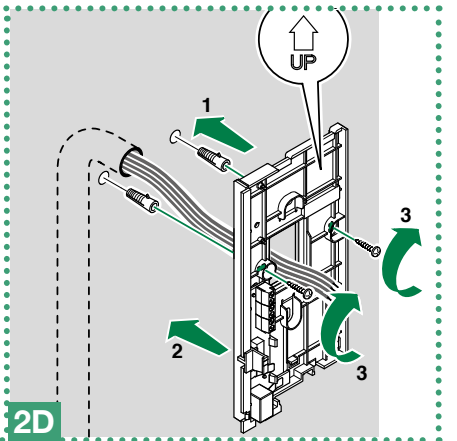
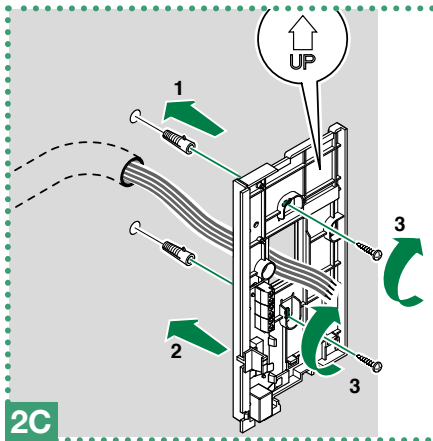
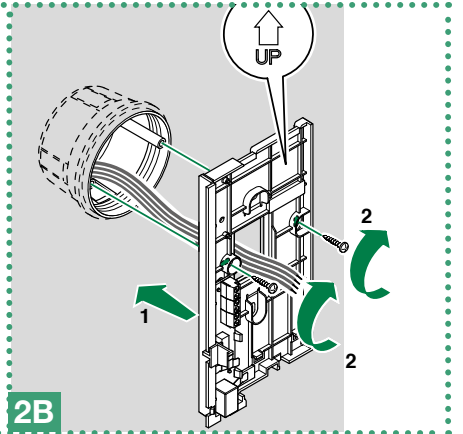
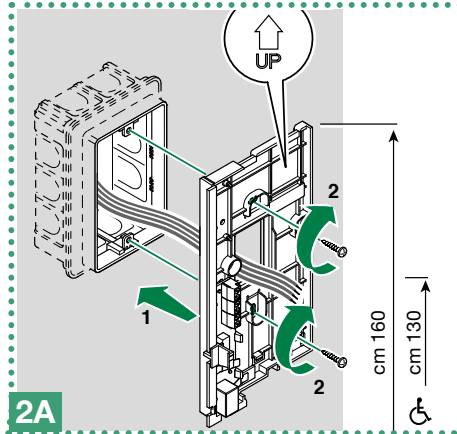
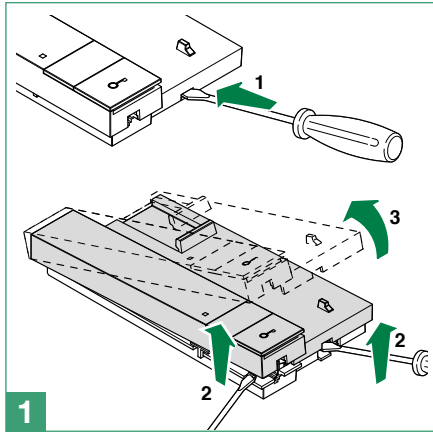
2 Loudspeaker input

S Electronic call signal input

9. Ringtone volume selector

10. Handset connector

Installation

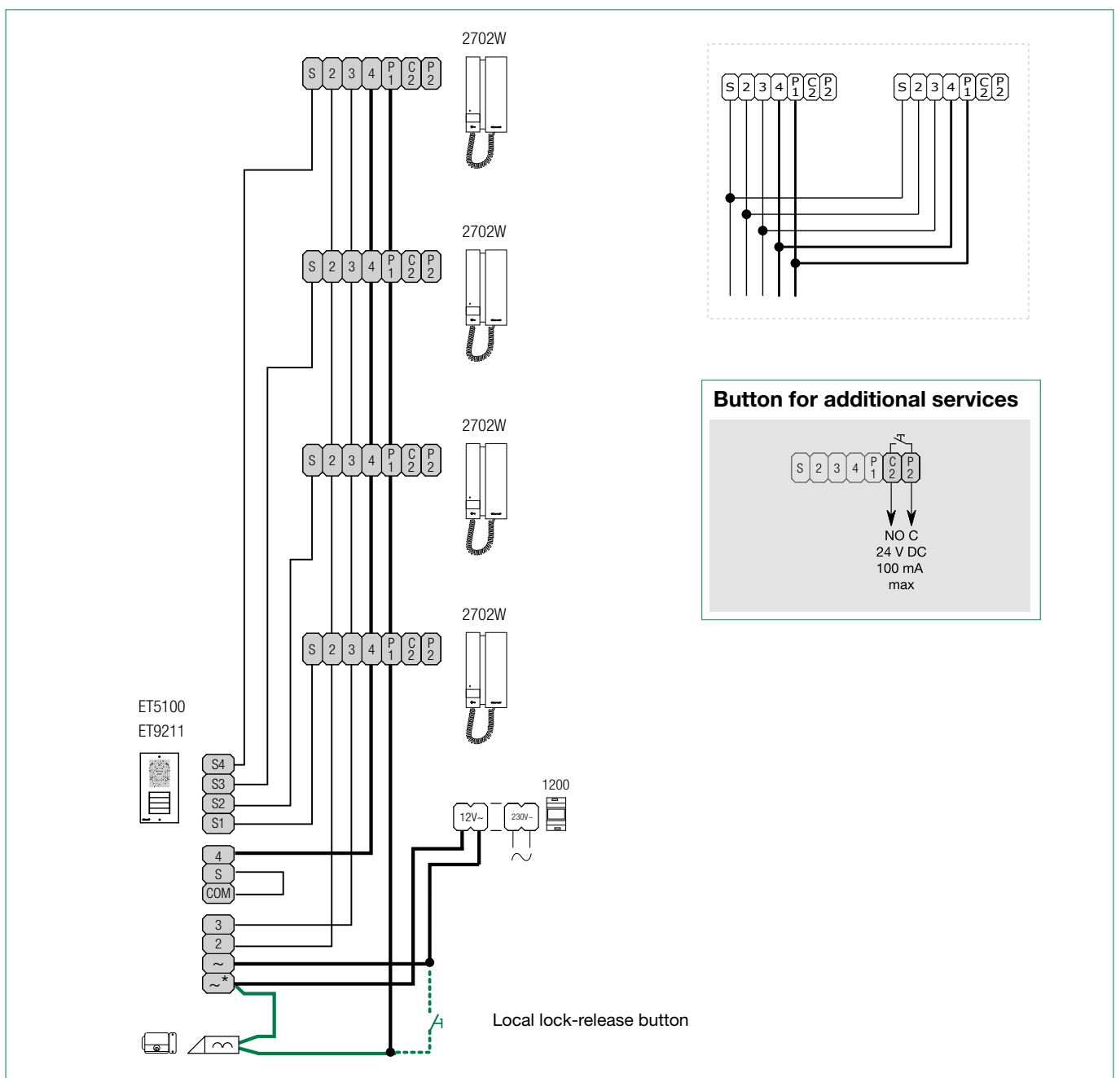


Operating distances

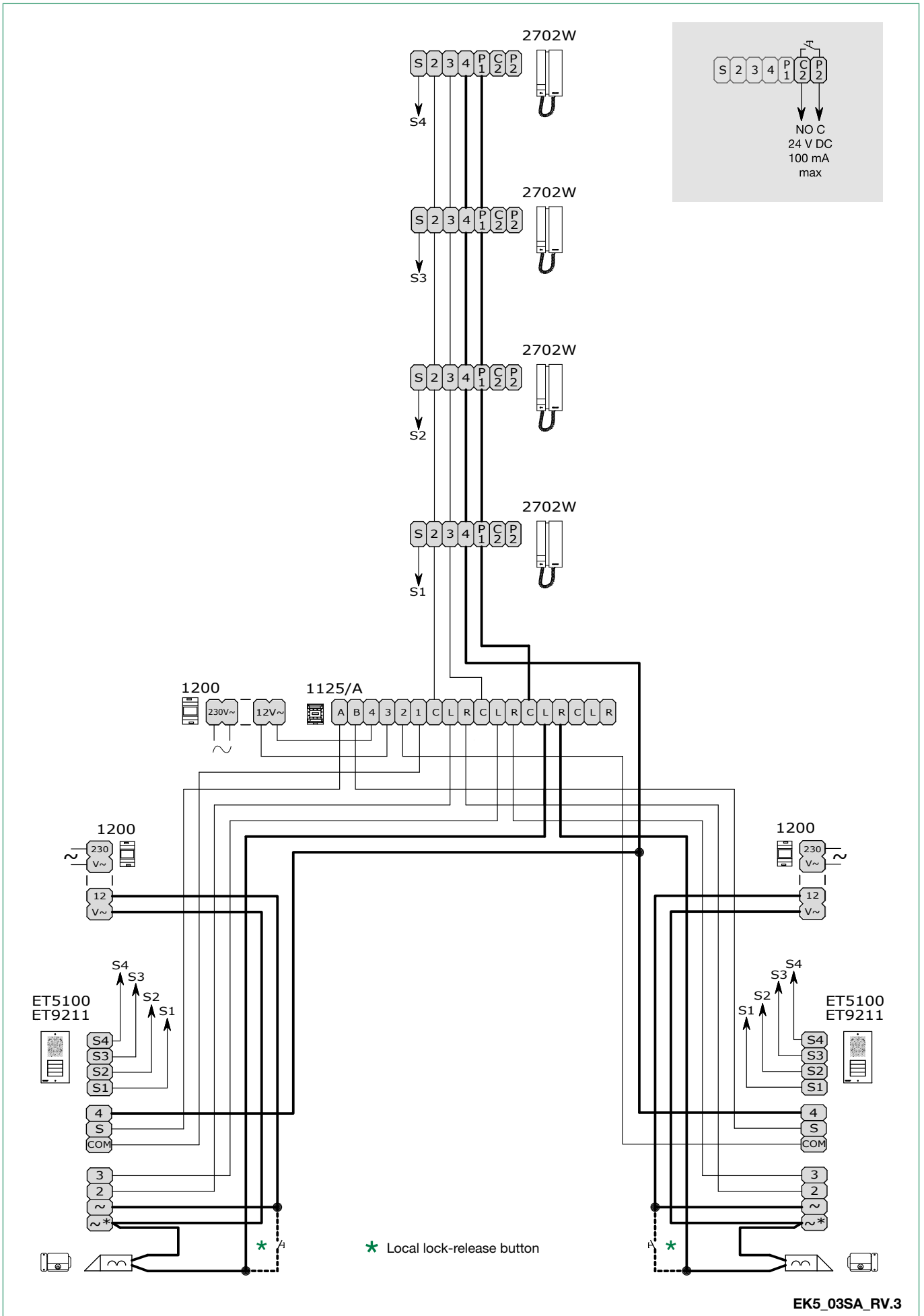
1 mm ² —————	1,5 mm ² —————	1,5 mm ² —————
200 m	200 m	30 m
0,8 mm ² —————	1 mm ² —————	1 mm ² —————
150 m	150 m	20 m
0,5 mm ² —————	0,8 mm ² —————	0,8 mm ² —————
50 m	50 m	10 m

Wiring diagrams

Standard system and 1 additional door-entry phone connection variant



System expansion: additional external unit



CERTIFIED MANAGEMENT SYSTEMS



www.comelitgroup.com

Via Don Arrigoni, 5 - 24020 Rovetta (BG) - Italy

The logo features a green square icon with a white grid pattern to the left of the word 'Comelit' in a bold, sans-serif font. Below 'Comelit' is the tagline 'Passion. Technology. Design.' in a smaller, lighter font.